

BANGLADESH RURAL ELECTRIFICATION BOARD

PBS INSTRUCTION 100-77

**STANDARD SPECIFICATION AND DRAWINGS
FOR SPACER CABLE LINE CONSTRUCTION**

TABLE OF CONTENT

SINGLE PHASE ASSEMBLY UNITS

- | | | |
|---|---------|---|
| 1 | SC-A1 | TYPICAL SINGLE PHASE TANGENT CONSTRUCTION |
| 2 | SC-A3 | SINGLE PHASE 7° - 60° ANGEL CONSTRUCTION |
| 3 | SC-A4 | SINGLE PHASE 61° - 90° ANGEL CONSTRUCTION |
| 4 | SC-A5 | SINGLE PHASE DEADEND WITH UNDERGROUND RISER |
| 5 | SC-A5-1 | SINGLE PHASE LATERAL TAP USING TANGENT BRACKETS |
| 6 | SC-A5-2 | TYPICAL SINGLE PHASE TAP FROM BARE WIRE |

THREE PHASE ASSEMBLY UNITS

- | | | |
|----|----------|---|
| 1 | SC-C1 | TYPICAL THREE PHASE TANGENT CONSTRUCTION, 15 KV |
| 2 | SC-C1-1 | THREE PHASE TANGENT CONSTRUCTION, MESSENGER DEADEND
LONG SPAN |
| 3 | SC-C2 | THREE PHASE TANGENT CONSTRUCTION WITH POLE TOP EXTENSION |
| 4 | SC-C3 | THREE PHASE 7° - 60° OUTSIDE ANGEL CONSTRUCTION USING BA3-15 or
BA3-35 |
| 5 | SC-C3-1 | THREE PHASE 7° - 60° OUTSIDE ANGEL CONSTRUCTION USING BA4-15 |
| 6 | SC-C3-2 | THREE PHASE 7° - 60° ANGEL CONSTRUCTION WITH POLE EXTENSION |
| 7 | SC-C3-3 | THREE PHASE 7° - 60° INSIDE ANGEL CONSTRUCTION USING BA4-15 |
| 8 | SC-C4 | THREE PHASE 61° - 90° ANGEL CONSTRUCTION USING BA3-15, BA3-35
AND 21P PLATES |
| 9 | SC-C5 | TYPICAL THREE PHASE DEADEND CONSTRUCTION, 15KV - 45 KV |
| 10 | SC-C5-1 | THREE PHASE DEADEND CONSTRUCTION WITH UNDERGROUND RISER |
| 11 | SC-C8 | THREE PHASE TANGENT, DOUBLE DEADEND CONSTRUCTION |
| 12 | SC-C8-1 | THREE PHASE DOUBLE DEADEND ANGLE CONSTRUCTION, 15KV - 45KV |
| 13 | SC-C8-2 | THREE PHASE CROSS-ARM DEADEND TRANSITION, SPACER CABLE TO
BARE WIRE |
| 14 | SC-C25 | THREE PHASE LATERAL TAP CONSTRUCTION USING BV-35 |
| 15 | SC-C25-1 | THREE PHASE TRANSFORMER TAP POLE CONSTRUCTION |
| 16 | SC-DCC3 | THREE PHASE DOUBLE CIRCUIT 7° - 60° ANGLE CONSTRUCTION USING
BA6-15 |
| 17 | SC-DCC4 | THREE PHASE DOUBLE CIRCUIT 7° - 60° ANGLE CONSTRUCTION USING
BA6-15 |
| 18 | SC-M3-15 | THREE PHASE SECTIONALIZAIING SWITCH CONSTRUCTION |


(Md. Mozibur Rahman)
Consultant TAPP BREB



(Md. Duhidul Islam)
Consultant TAPP BREB


(Md. Mozammel Haq)
Consultant TAPP BREB

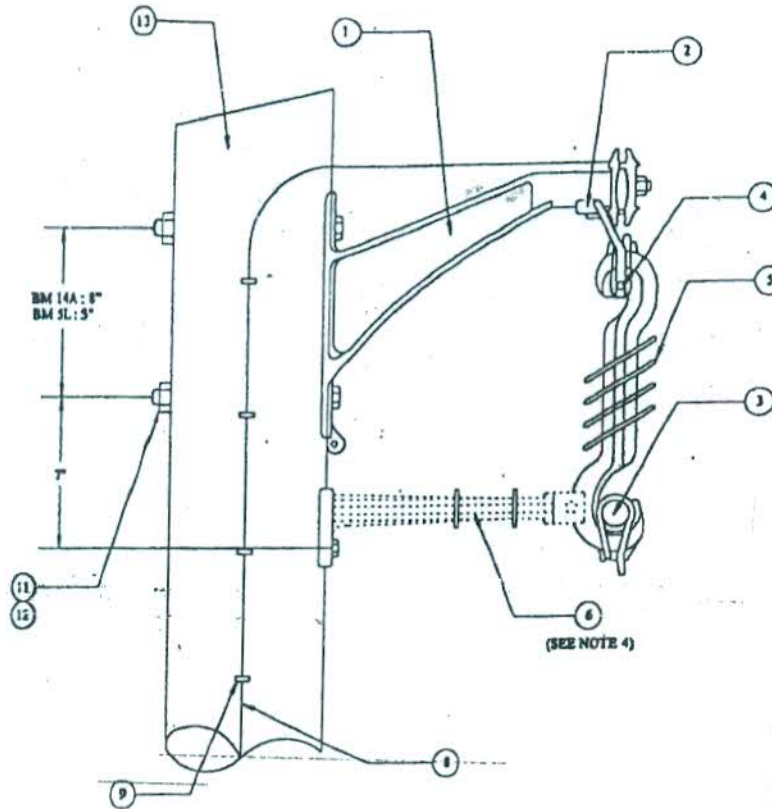

(Md. Abdul Khaleque)
Consultant TAPP BREB


(Md. Ansarul Haque)
Consultant TAPP BREB


(Debasis Chakraborty)
PD, TAPP, BREB


(Kamrul Ahsan Mollik)
Asst. Secy. (Board), BREB.

৬২১ তম বোর্ড সভার অনুমোদিত সিদ্ধান্ত নং ১৭৭০০



৬২১ তম বোর্ড সভার অনুমোদিত নং ১৭৭০০

(Md. Absarul Haque)
Consultant, TAPP, BREB

(Md. Abdul Khaleque)
Consultant, TAPP, BREB

(Md. Mozammel Haq)
Consultant TAPP BREB

(Md. Duhidul Islam)
Consultant TAPP BREB

(Md. Mozibur Rahman)
Consultant TAPP BREB

(Kamrul Absan Mollik)
Asst. Secy. (Board), BREB.

(Debasish Chakraborty)
ED, TAPP, BREB

Notes :

- 1) Tangents are defined as line angles up to and including 6° for Hendrix Spacer Cable.
- 2) Any horizontal load created by a minor angle should be guyed for proper construction
- 3) The TS-1 Stirrup should be bolted through the hole closest to the end of the tangent bracket, near the messenger clamp.
- 4) The use of a BAS-14F Anti-Sway Bracket is recommended at transformer taps to minimize the stress on connections caused by movement of the circuit.
- 5) Do not install the TS-1 Stirrup or Make ground connections until the conductors are installed.
- 6) The BM-5L bracket may be used in light loading applications where a bracket with lower ultimate vertical strength would be more compatible with the strength of lower strength poles.

Bill of Materials

Bill of Materials

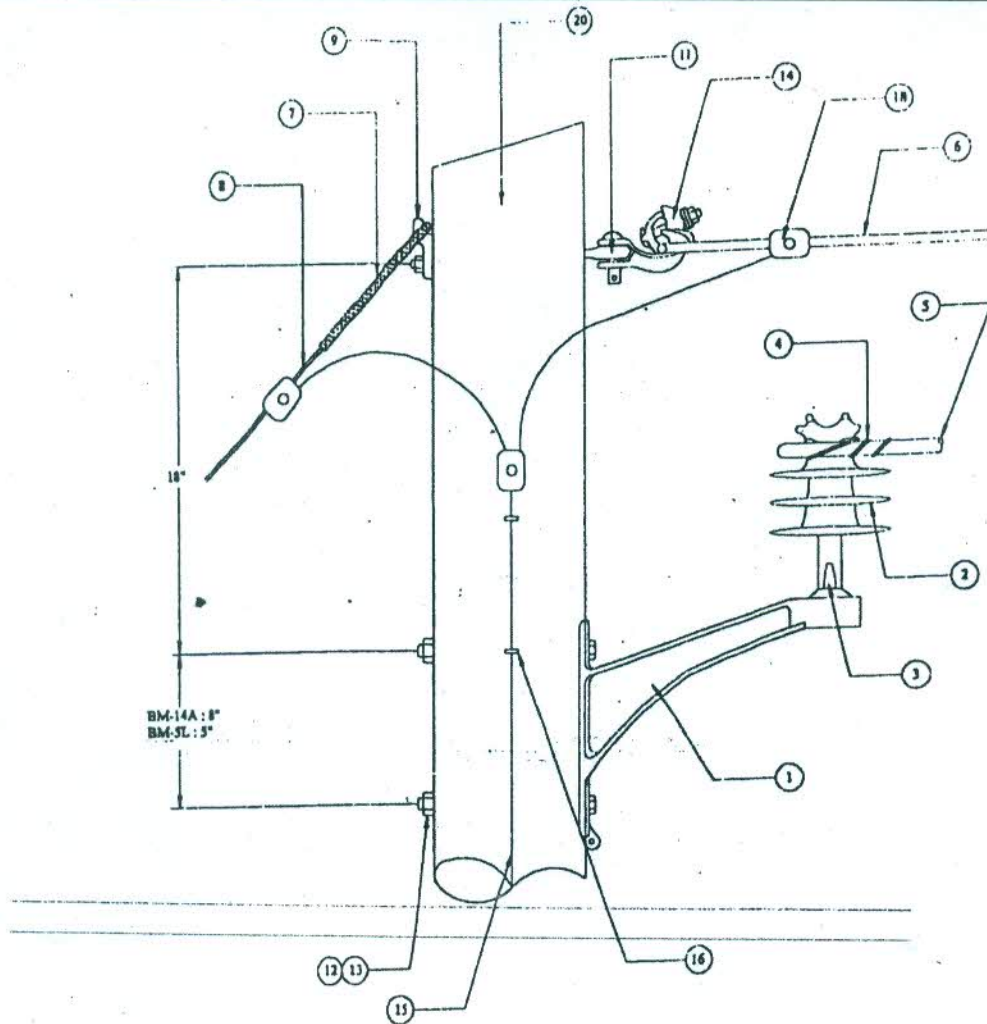
Item No.	Description	Qty	Item No.	Description	Qty
1	Messenger Bracket, Hendrix Type BM-14A or BM-5L	1	8	Ground Wire, Soft Drawn Copper, Solid, #6 AWG Min.	As Req.
2	Stirrup, hendrix Type TS-1, Supplied with 1/2" Bolt, Flat Washer And Self-Locking Nut	1	9	Ground Wire Staple, Copper Clad or Galvanized	As Req.
3	Hendrix Aerial Cable, (Size And Voltage Rating As Required)	As Req.	10	Grounding Assembly, (Type As Required, Not Shown)	1
4	Messenger, (Size And Type As Required)	As Req.	11	Machine Bolt, 5/8" x Required Length	2
5	Hendrix Spacer With Ties, (Types As Required)	As Req.	12	Square Washer, 2 1/4" x 2 1/4" x 3/16"	2
6	Anti-Sway Bar, Hendrix Type BAS-14F, Supplied With Plastic Bolt	1	13	Ground Wire Staples, Copper Clad or Galvanized	1
7	Connector, (Size And Kind As Required)	1			

BANGLADESH RURAL ELECTRIFICATION BOARD

Unit Description: TYPICAL SINGLE PHASE TANGENT CONSTRUCTION

Date of Origin	Reviewed by	Approved by	Revision No.	Unit Designation
25/11/2002	BREB	BREB	1	SC-A1

Revision Date: 19/02/2020



১২১ তম বোর্ড সভায় অনুমোদিত শিফট নং ১৯৯০০

(Md. Ahsanul Haque)
Consultant, TAPP, BREB

(Md. Abdul Khaleque)
Consultant, TAPP, BREB

(Md. Mozammel Huj)
Consultant, TAPP, BREB

(Md. Durhidul Islam)
Consultant, TAPP, BREB

(Md. Mozibur Rahman)
Consultant, TAPP, BREB

(Kamrul Ahsan Moiny)
Asst. Secy (Design), BREB

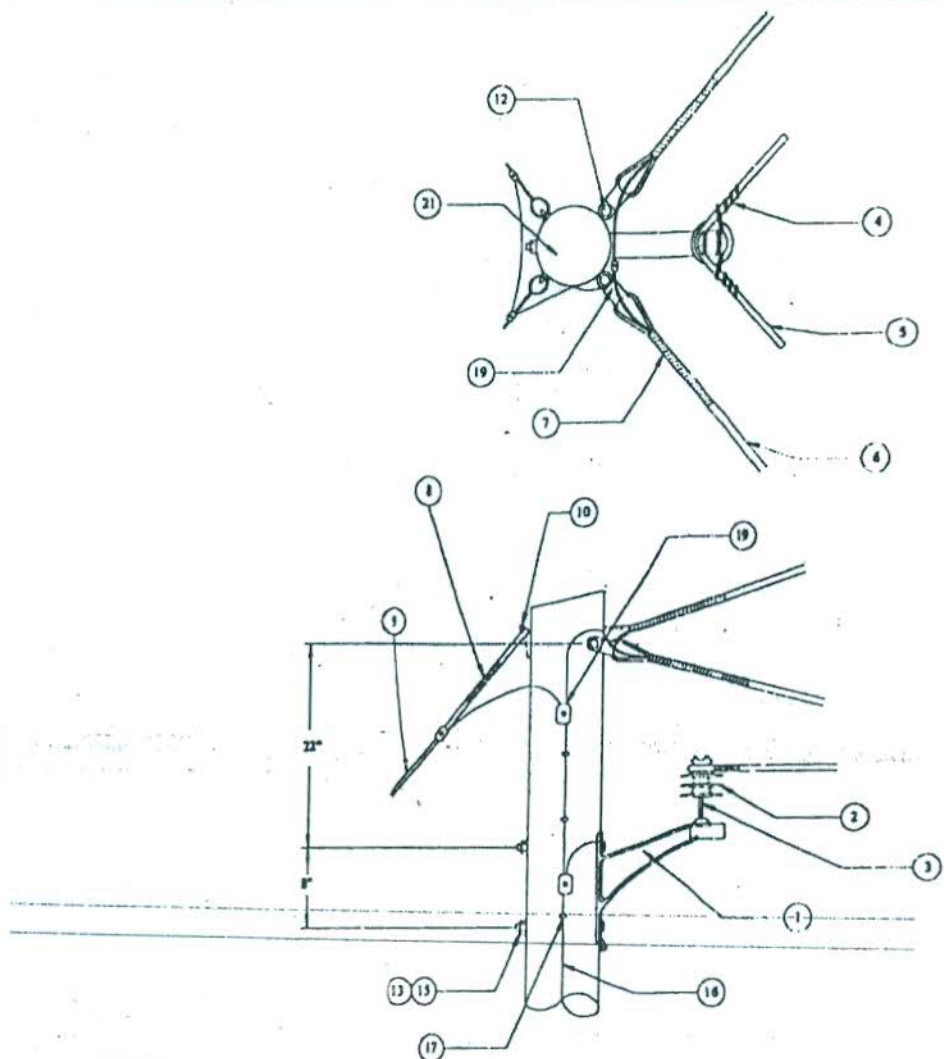
(Debasish Chara) (Jointly)
Asst. Secy (Design), BREB

Notes :

- 1) Structure design for angles from 7 through 60. For line angles greater than 60 refer to drawing number A4(SC) in this section.
- 2) Standard Duty Construction - 8000 lb maximum expected messenger tension. For messenger tensions greater than 8000 lb, the messenger must be double dead-ended.
- 3) The BM-5L bracket may be used in light loading applications where a bracket with lower ultimate vertical strength would be more compatible with the strength of lower strength poles.

Bill of Materials			Bill of Materials		
Item No.	Description	Qty	Item No.	Description	Qty
1	Messenger Bracket, Hendrix Type BM-14A or BM-5L	1	11	3-Bolt Eye, 5/8" x Required Length For Standard Construction; 3/4" x Required Length For Heavy Duty Construction	1
2	Insulator, Pin Type, Hendrix Type HPI-15F, HPI-25 or HPI-35	1	12	Machine Bolt, 5/8" x Required Length	2
3	Insulator Pin, Hendrix Type SSP-2	1	13	Square Washer, 2 1/4" x 2 1/4" x 3/16", Minimum	3
4	Hendrix Covered Tie Wire, #4 AWG Solid Soft Drawn Aluminum With .045" Thermoplastic Rubber, 6 to 8 ft. length	1	14	Angle Clamp, Hendrix Catalog No CMA-1	1
5	Hendrix Aerial Cable, (Size And Voltage Rating As Required)	As Req.	15	Ground Wire, Soft Drawn Copper, Solid, #6 AWG Min.	As Req.
6	Messenger, (Size And Type As Required)	As Req.	16	Ground Wire Staple, Copper Clad Or Galvanized	As Req.
7	Prebaped Guy Grip, (Size And Type As Required)	As Req.	17	Grounding Assembly, (Type As Required, Not Shown)	1
8	Guy Strand, (Size And Type As Required)	As Req.	18	Connector, (Size And Type As Required)	As Req.
9	Guy Hook, Continental No. GA-56X, or Equal	As Req.	19	Anchor And Anchor Rod, (Size And Type As Required, Not Shown)	As Req.
10	3-Bolt Clamp or Automatic Type Dead-end (Size And Kind As Required; Lower End of Guy, Not Shown)	As Req.	20	Pole, (Length And Class As Required)	1

BANGLADESH RURAL ELECTRIFICATION BOARD				
Unit Description: SINGLE PHASE 7° - 60° ANGEL CONSTRUCTION				
Date of Origin	Reviewed by	Approved by	Revision No.	Unit Designation
25/11/2002	BREB	BREB	1	SC-A3
Revision Date: 19/02/2020				



Notes :

- 1) Standard Duty Construction - 8000 lb maximum expected messenger tension.
Heavy Duty Construction - 8000 lb to 12000 lb maximum messenger tension.
- 2) The BM-5L bracket may be used in light loading applications where a bracket with lower ultimate vertical strength would be more compatible with the strength of lower strength poles.

(Md. Absarul Haque)
Consultant TAPP, BREB

(Md. Abdul Khaleque)
Consultant, TAPP, BREB

(Md. Mozammel Haq)
Consultant TAPP, BREB

(Md. Duhidul Islam)
Consultant TAPP, BREB

(Md. Mozibur Rahman)
Consultant TAPP, BREB

৯৩ তম বোর্ড সভায় অনুমোদিত নিকট নং ১৯৯০০

(Kamrul Ahsan Mollik)
Asst. Secy. (Board), BREB

(Debasish Chakraborty)
PD, TAPP, BREB

Bill of Materials			Bill of Materials		
Item No.	Description	Qty	Item No.	Description	Qty
1	Messenger Bracket, Hendrix Type BM-14A or BM-5L	1	12	3-Bolt Eye, 5/8" x Required Length For Standard Construction; 3/4" x Required Length For Heavy Duty Construction	2
2	Insulator, Pin Type, Hendrix Type HPI-15F, HPI-25 or HPI-35	1	13	Machine Bolt, 5/8" x Required Length	2
3	Insulator Pin, Hendrix Type SSP-2	1	14	Thimble Clevis, Hendrix Catalog No. TC For Standard Construction; Hendrix Catalog No. HDTC For Heavy Duty Construction	2
4	Hendrix Covered Tie Wire, #4 AWG Solid Soft Drawn Aluminum With .045" Thermoplastic Rubber, 6 to 8 ft. length	1	15	Square Washer, 2 1/4" x 2 1/4" x 3/16", Minimum	4
5	Hendrix Aerial Cable, (Size And Voltage Rating As Required)	As Req.	16	Ground Wire, Soft Drawn copper, Solid, #6 AWG Min.	As Req.
6	Messenger, (Size And Type As Required)	As Req.	17	Ground Wire Staple, Copper Clad Or Galvanized	As Req.
7	Preshaped Messenger Grip	2	18	Grounding Assembly, (Type As Required, Not Shown)	1
8	Preshaped Guy Grip	As Req.	19	Connector, (Size And Type As Required)	As Req.
9	Guy Strand, (Size And Type As Required)	As Req.	20	Anchor And Anchor Rod, (Size And Type As Required, Not Shown)	As Req.
10	Guy Hook, Continental No. GA-56X, or Equal	As Req.	21	Pole, (Length And Class As Required)	1
11	3-Bolt Clamp or Automatic Type Dead-end (Size And Kind As Required; Lower End of Guy, Not Shown)	As Req.			

BANGLADESH RURAL ELECTRIFICATION BOARD

Unit Description: SINGLE PHASE 61° - 90° ANGEL CONSTRUCTION

Date of Origin	Reviewed by	Approved by	Revision No.	Unit Designation
25/11/2002	BREB	BREB	1	SC-A4

Revision Date : 19/02/2020

