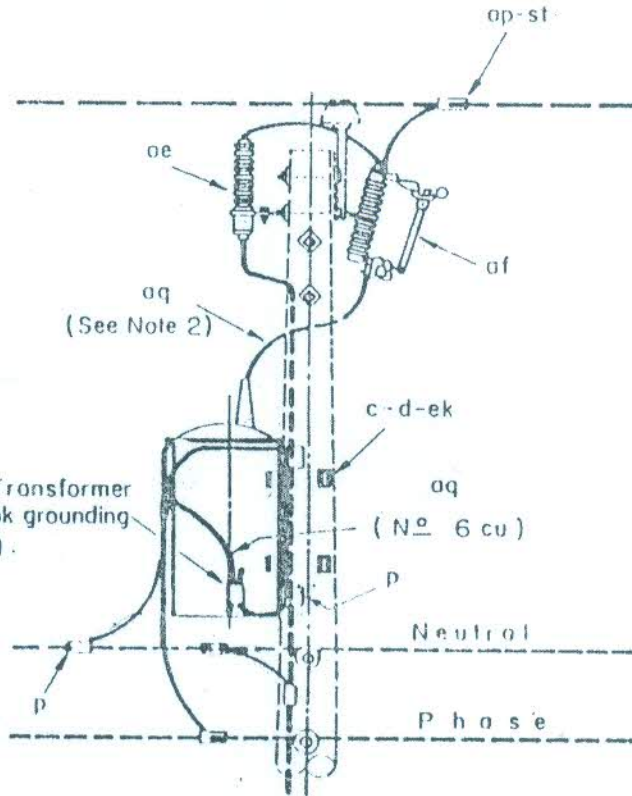
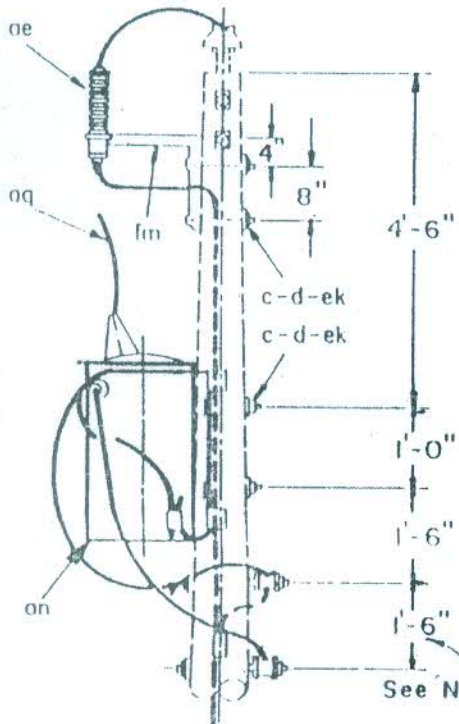


NOTES:

1. Refer to transformer guide drawings for secondary and service connections.
2. Refer to guide drawing M28-I for transformer lead sizes and primary fuse sizes.
3. Increase this dimension 2'-0" for spans over 300 feet in length.
4. The transformer grounding loop assures two separate connections to ground. See guide drawing M27 for details.
5. A ground rod is required for this installation. Specify separately as M2-II.
6. A 3" minimum separation is required between neutral and low tension jumpers.



৬২১ তম বোর্ড সভায় অনুমোদিত সিদ্ধান্ত নং ১৭৭০৫

(Kamrul Ahsan Mollik)
Asst. Secy. (Board), BREB.

ITEM NO.	MATERIAL	ITEM NO.	MATERIAL
c 4	Bolt, machine, 5/8" x required length	ap 1	Clamp, hot line
d 4	Washer, square, 2 1/4"	aq -	Jumpers, as required
p -	Connectors, as required	ek -	Locknuts
ae 1	Lightning arrester	fm 1	Bracket, cutout and arrester
af 1	Cutout	st 1	Stirrup for hot line clamp
an 1	Transformer, conventional type		

(Debasish Chakraborty)
PD, TAPP, BREB.

(Md. Mozibur Rahman)
Consultant, TAPP, BREB

(Md. Duhidul Islam)
Consultant, TAPP, BREB

(Md. Mozammel Haq)
Consultant, TAPP, BREB

(Md. Abdul Khaleque)
Consultant, TAPP, BREB

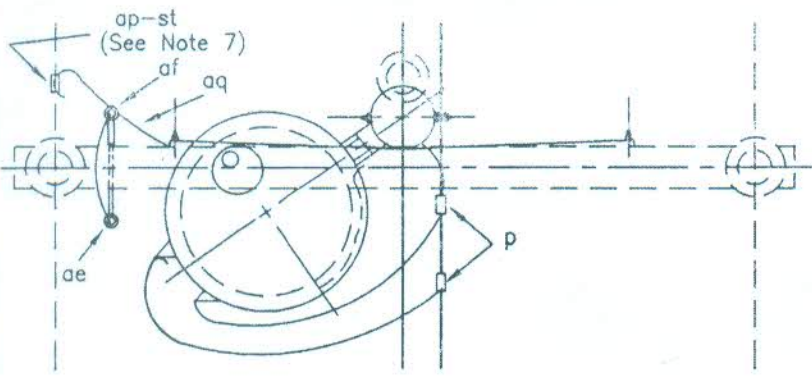
(Md. Ahsanul Haque)
Consultant, TAPP, BREB

BANGLADESH RURAL ELECTRIFICATION BOARD

Unit Description: 6.35/11 KV SINGLE PHASE TRANSFORMER AT 1-PHASE TANGENT

Date of Origin	Reviewed by	Approved by	Revision No.	Unit Designation
July 1979	BREB	BREB Board	6	G105

Revision Date: July 1980, June 1981, August 1989, July 1995, August 2013, **February 2020**



P L A N

NOTES :

- 1.
- 2.
3. } Refer to drawing G 105 or 106
4. } for these Notes.
- 5.
- 6.
7. See staking sheet to determine on which phase transformer is to be connected.

(Debasish Chakraborty)
PD, TAPP, BREB

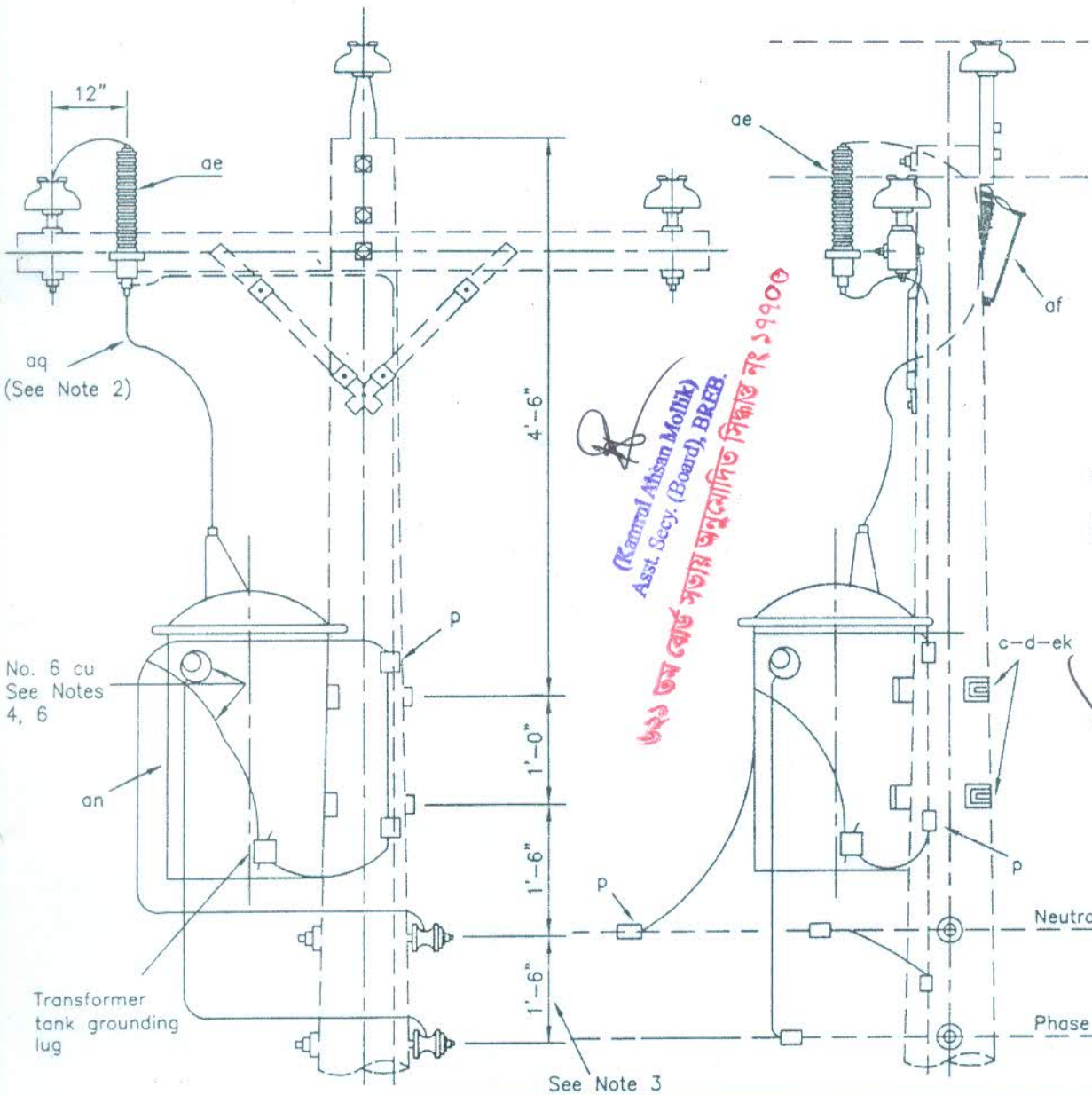
(Md. Ahsanul Haque)
Consultant TAPP, BREB

(Md. Abdul Khaleque)
Consultant TAPP, BREB

(Md. Mozammel Haq)
Consultant TAPP, BREB

(Md. Duhidul Islam)
Consultant TAPP, BREB

(Md. Mozibur Rahman)
Consultant TAPP, BREB



No. 6 cu
See Notes
4, 6

Transformer
tank grounding
lug

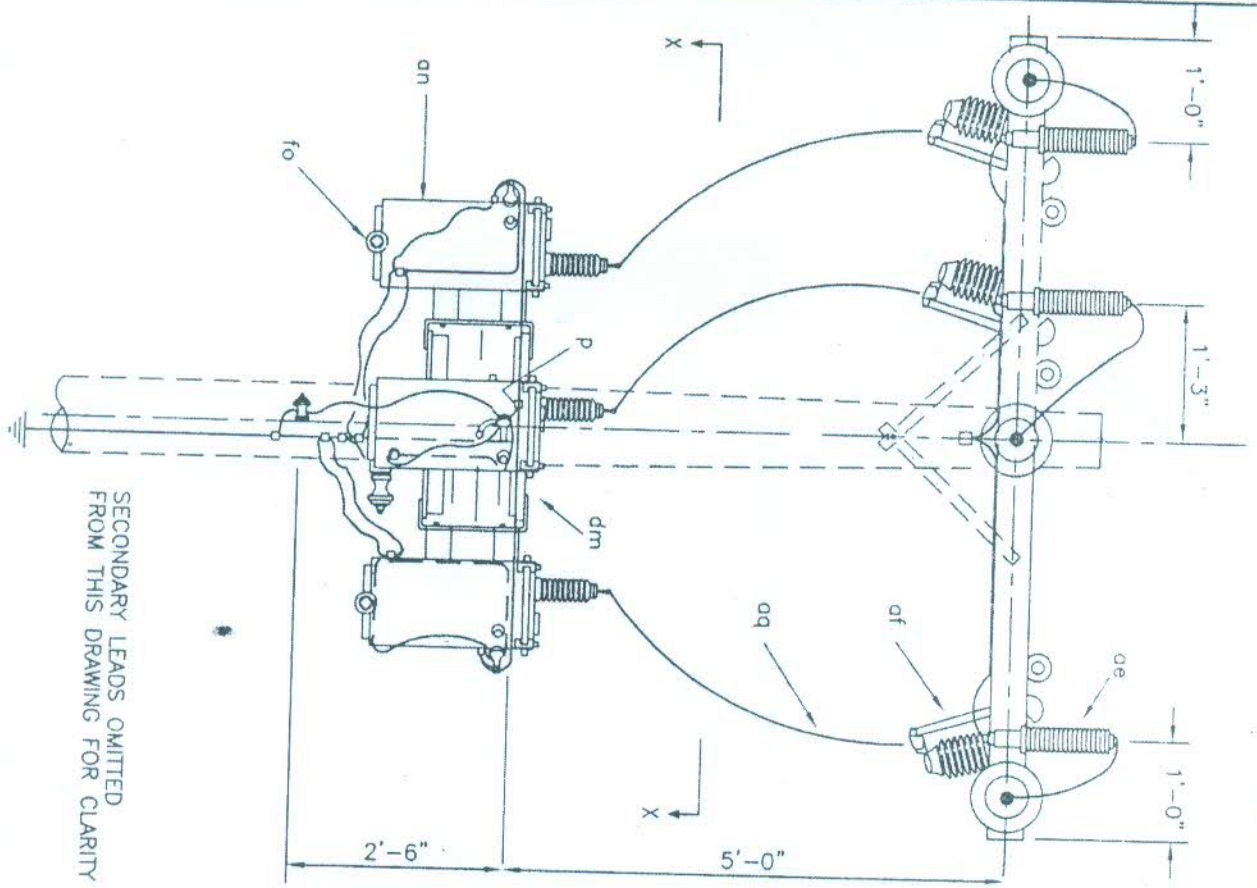
ITEM	NO.	MAT. CODE	MATERIAL	ITEM	NO.	MAT. CODE	MATERIAL
c	2	B7/8/9	Bolt, machine, 5/8" x req'd length	ap	1		Clamp, hot line
d	2		Washer, square, 2 1/4"	aq	-	D-6	Jumpers, as required
p	-	15/6	Connectors, as required	ek	2	B50	Locknuts as required
ae	1	H-2	Lightning arrester	st	1		Stirrup for hot line clamp
af	1	H-1	Cutout				
an	1	G	Transformer, conventional type				

BANGLADESH RURAL ELECTRIFICATION BOARD

Unit Description: 6.35/11 KV SINGLE PHASE TRANSFORMER ON 3-PHASE CIRCUIT

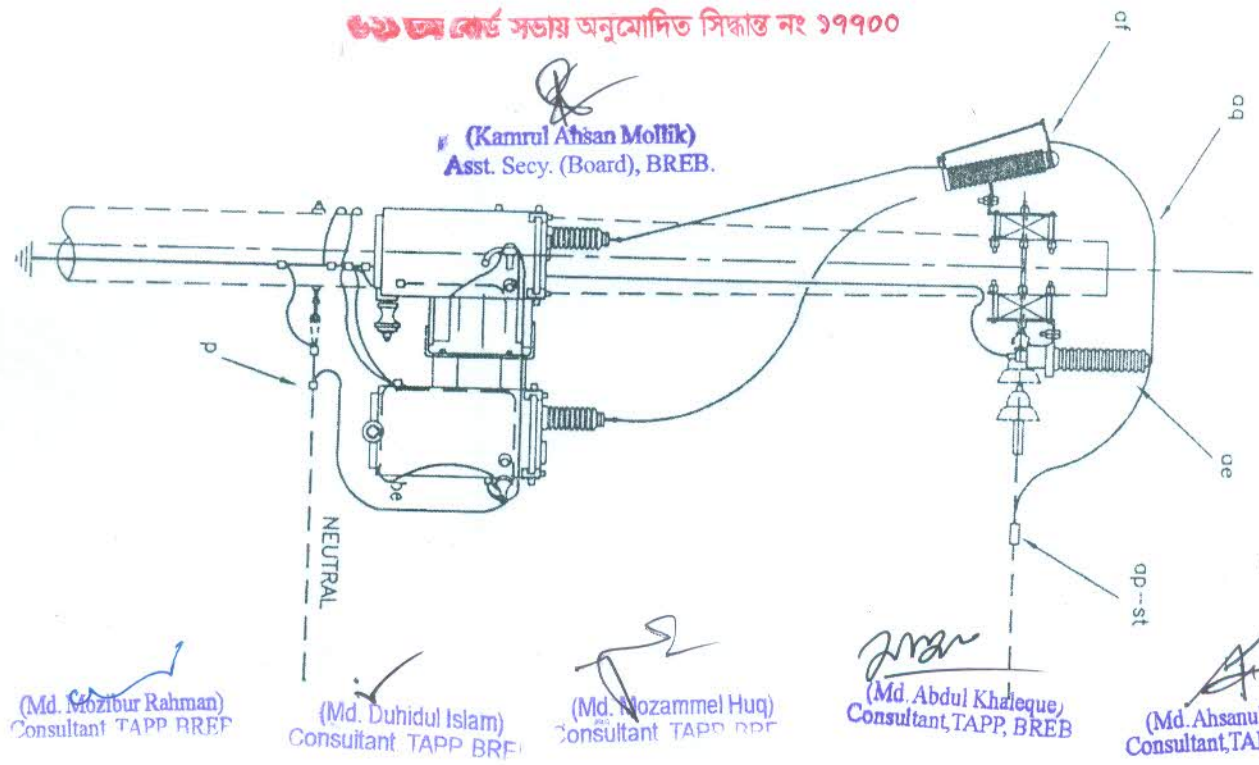
Date of Origin	Reviewed by	Approved by	Revision No.	Unit Designation
July 1979	BREB	BREB Board	6	G136

Revision Date: July 1980, June 1981, August 1989, July 1995, August 2013, **February 2020**



৬৩৩ ভবন বোর্ড সভায় অনুমোদিত সিদ্ধান্ত নং ১৭৭০০

(Kamrul Ahsan Mollik)
Asst. Secy. (Board), BREB.



(Md. Mozibur Rahman)
Consultant TAPP BREB

(Md. Duhidul Islam)
Consultant TAPP BREB

(Md. Mozammel Haq)
Consultant TAPP BREB

(Md. Abdul Khaleque)
Consultant, TAPP, BREB

(Md. Ahsanul Haque,
Consultant, TAPP, BREB

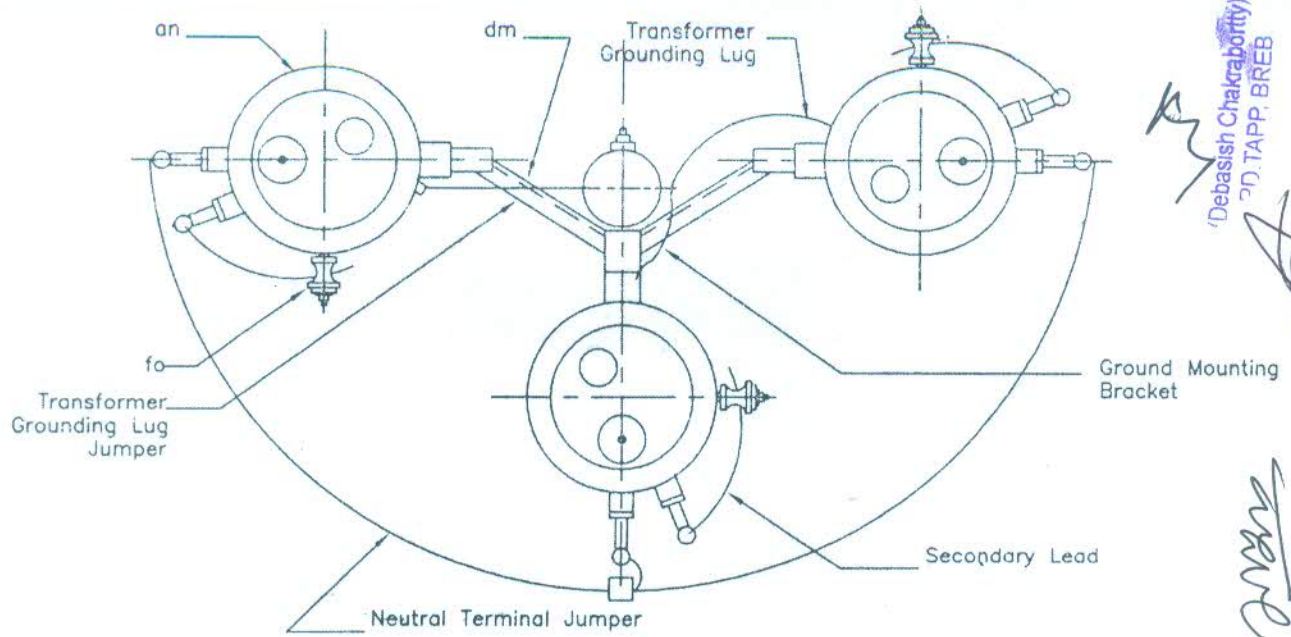
(Debasish Chakraborty)
PD, TAPP, BREB

BANGLADESH RURAL ELECTRIFICATION BOARD

Unit Description: 6.35/11 KV, THREE TRANSFORMER CLUSTER MOUNT
(4-WIRE GROUNDED WYE-GROUNDED WYE FOR 230/400 VOLT POWER LOADS)

Date of Origin	Reviewed by	Approved by	Revision No.	Unit Designation
July 1979	BREB	BREB Board	6	G312 SHEET 1 of 2

Revision Date: July 1980, June 1981, August 1989, July 1995, August 2013, February 2020

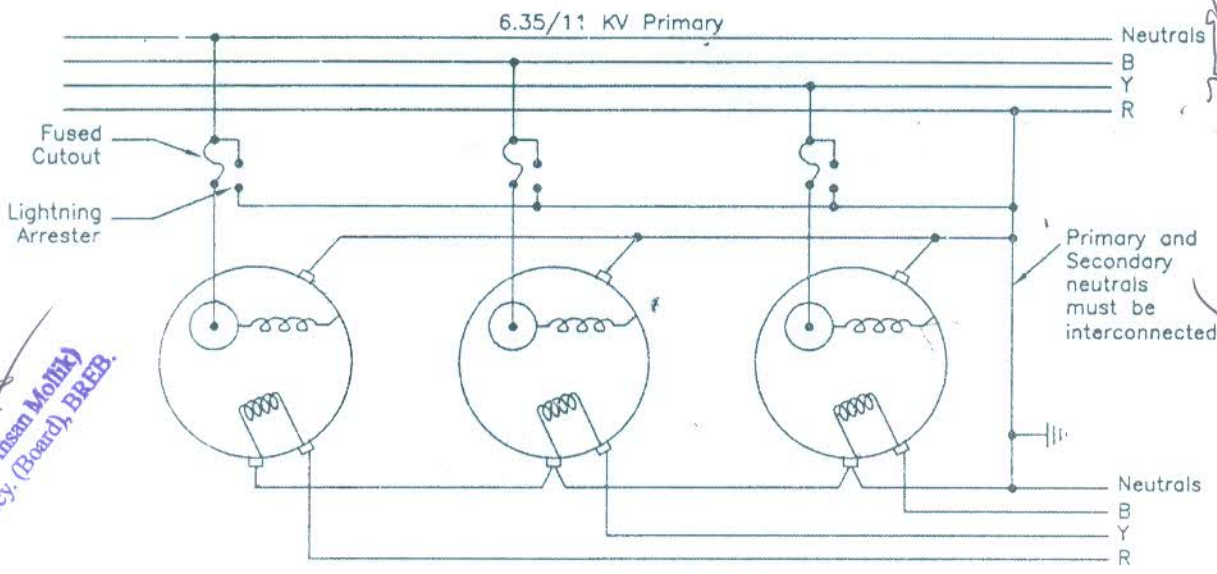


SECTION X-X

৬২১ ভব কোর্ট সড়ায় অনুমোদিত সিদ্ধান্ত নং ১৭৭০০

(Debasish Chakraborty)
D.TAPP, BREB
(Md. Ahsanul Haque)
Consultant, TAPP, BREB

(Md. Abdul Khaleque)
Consultant, TAPP, BREB



(Kamrul Ahsan Molity)
Asst. Secy. (Board), BREB.

(Md. Mizammel Haq)
Consultant, TAPP, BREB

(Md. Duhiul Islam)
Consultant, TAPP, BREB

(Md. Mozibur Rahman)
Consultant, TAPP, BREB

NOTES :

1. Refer to M0*-1 for transformer lead and primary fuse sizes.
2. A ground rod is required for this installation. Ground all transformers and the mounting bracket as per guide M27-1.
3. See guide M31 for cutout and lightning arrester installation and connection details.
4. C1 or C1-1 pole top units may be substituted for the C7 shown on this drawing.
5. For ease of operation install cutout turned in toward pole.

ITEM	NO.	MAT. CODE	MATERIAL	ITEM	NO.	MAT. CODE	MATERIAL
c	2	B7/8/9	Bolt, machine, 5/8" x req'd length	an	3	G	Transformer, 167 KVA maximum
c	2	B15	Bolt, machine, 3/4" x 12"	ap	3	I24/46	Hot line clamp
d	2	B46	Washer, square 2-1/4"	aq	-	D6	Jumpers, as required
p	-	I1/2/3/4	Connectors, as required	dm	1	B87/88	Bracket, cluster mount
ae	3	H2	Lightning arrester	ek	-	B50	Locknuts
af	3	H1	Cutout	fo	3	B71	Secondary lead bracket and insulator
				st	3	I35/54	Stirrup for hot clamp

BANGLADESH RURAL ELECTRIFICATION BOARD

Unit Description: **6.35/11 KV THREE TRANSFORMER CLUSTER MOUNTED**
(4-WIRE GROUNDED WYE-GROUNDED WYE FOR 230/400 VOLT POWER LOADS)

Date of Origin	Reviewed by	Approved by	Revision No.	Unit Designation
July 1979	BREB	BREB Board	6	G312

